

LR6 Standard

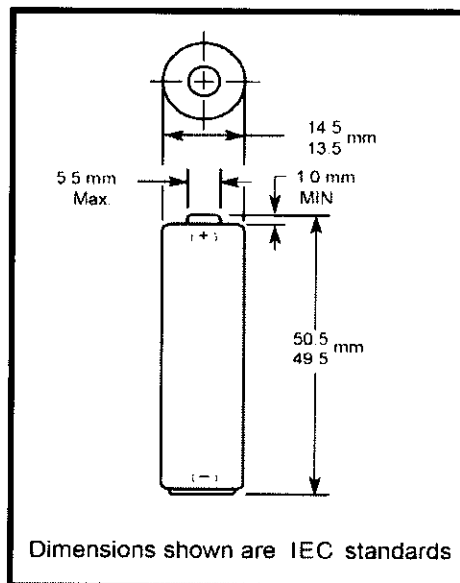
Product specifications for cylindrical
alkaline battery

LR6 Standard

1. Battery Identification

Name	M/ LR6/ AM3/ AA/ MN1500
Type	alkaline
Nominal Voltage	1.5V
Electrolyte	KOH (potassium hydroxide)
Average Weight	23g

2. Battery Dimensions



3. Battery Performance

Typical Discharge Values

TEST	RESISTANCE	DAILY PERIOD	END POINT	TYPICAL
Radio	43 ohm	4h	0.9V	88.5 h
Recorder	10 ohm	1h	0.9V	18.5 h
Motor / Toy	3.9 ohm	1h	0.8V	7 h
Remote control	24 ohm	15s/min-8h/d	1V	44.5 h
Photoflash	1 A	10s/min-1h/d	0.9V	350 pulses
CD/MD	250 mA	1h	0.9V	7 h
DSC	1.5 W / 0.65 W	10x(2s/28s) on/55min off	1.05V	60 pulses

LR6 Standard

4. Material Safety Data Sheet

Item	Material	%
Total Weight		23.5
Cathode	MnO ₂ , C	43%
Anode	Zn	25%
Separator	Paper	1%
Current Collector	Brass	2%
Electrolyte	KOH, H ₂ O	8%
Steel Can	Ni plated steel	15%
Bottom Plate	Ni plated steel	1%
Washer	Steel	3%
Gasket	Plastic	1%
Label	PET	1%

Mercury (Hg) < 1ppm, Cadmium (Cd) < 20ppm, Lead (Pb) < 40ppm